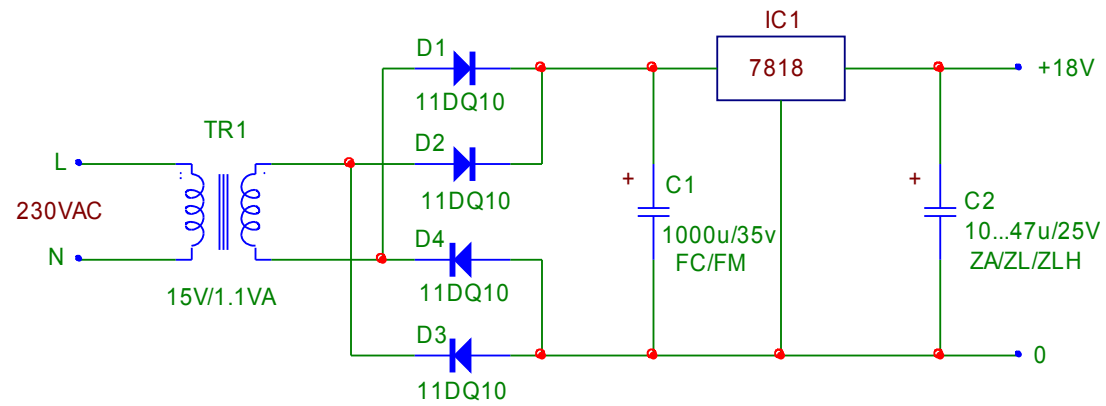


## All-Purpose Power Supply



D1...D4: use 11DQ10 / MBR1100 / SB160  
or any other schottky diode: min. 60V/1A.