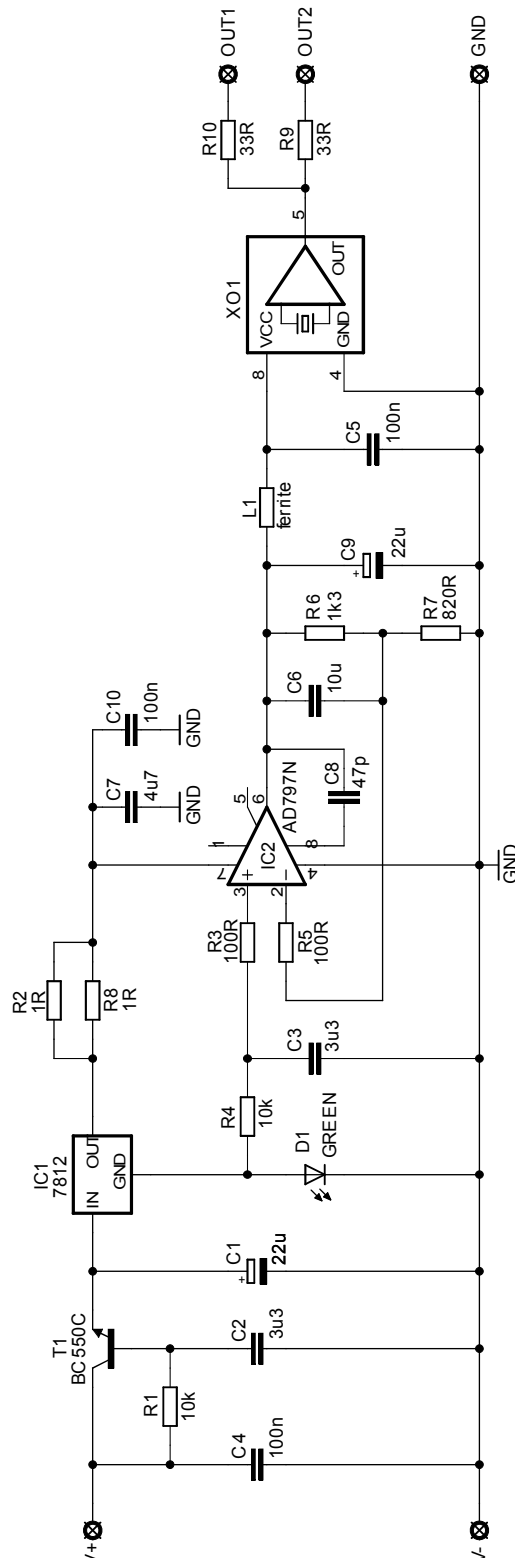


# The Flea, DIY version by Ray

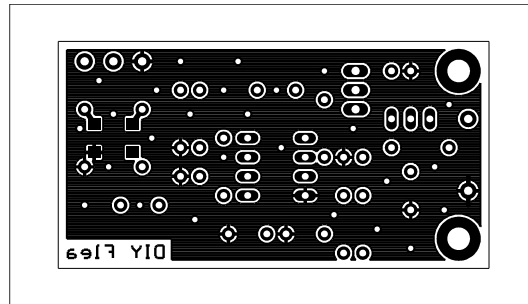
Schematic diagram



**Not for commercial use! For DIY purposes only!**

# The Flea, DIY version by Ray

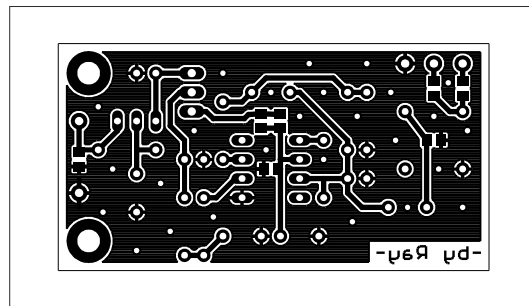
TOP layer



**Not for commercial use! For DIY purposes only!**

# The Flea, DIY version by Ray

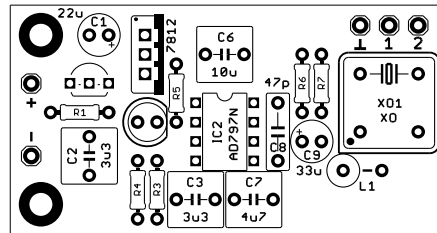
BOTTOM layer



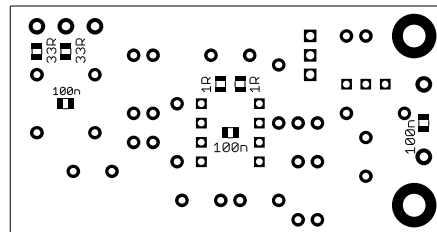
**Not for commercial use! For DIY purposes only!**

# The Flea, DIY version by Ray

SILKSCREEN and component placement



TOP layer



BOTTOM layer

**Not for commercial use! For DIY purposes only!**

# The Flea, DIY version by Ray

## Partslist

Part no.	Value:	Type:	Farnell:
C1	22u/25V	Rubycon ZLG	128-1815
C2	3u3	Wima MKS2	
C3	3u3	Wima MKS2	
C4	100n	0805 SMD	175-9265/141-4664
C5	100n	0805 SMD	175-9265/141-4664
C6	4u7/10u	Wima MKS2	
C7	4u7	Wima MKS2	
C8	47p	PS or ceramic, axial	121-6413
C9	22u/25V	Rubycon ZLG	128-1815
C10	100n	0805 SMD	175-9265/141-4664
L1	ferrite bead	axial	
D1	LED green	5mm, TLHG5400	146-9454/184-442(C)
R1	10k/1%	1/8W axial	934-2419
R2	1R0/1%	0805 SMD	923-7127
R3	100R/1%	1/8W, axial	934-2397
R4	10k/1%	1/8W, axial	934-2419
R5	100R/1%	1/8W, axial	934-2397
R6	1k3/1%	1/8W, axial, for 5.0V output	934-2575
	330R/1%	1/8W, axial, for 3.3V output	934-3032
R7	820R/1%	1/8W, axial, for 5.0V output	934-3563
	470R/1%	1/8W, axial, for 3.3V output	934-3245
R8	1R0/1%	0805 SMD	923-7127
R9	33R/1%	0805 SMD	923-7305
T1	BC550C	TO-92	155-071(C)
IC1	7812	TO-220	975-6124/146-7365
IC2	AD797AN	DIL-8	960-3778
XO1	16,9344MHz*	Tentlabs XO (half-brick) or 5x7mm SMD oscillator	

\* frequency depending on your player

**Not for commercial use! For DIY purposes only!**