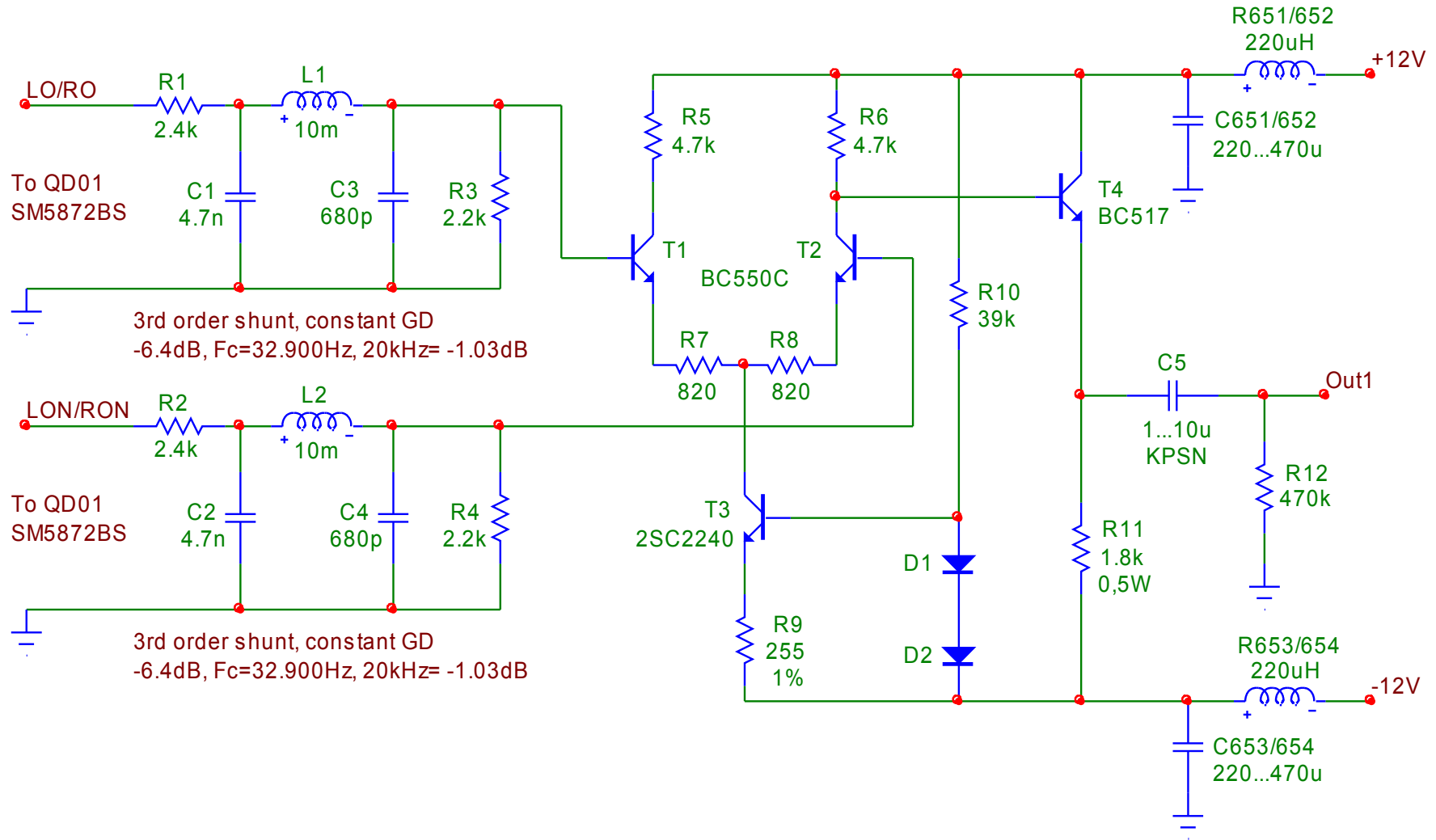
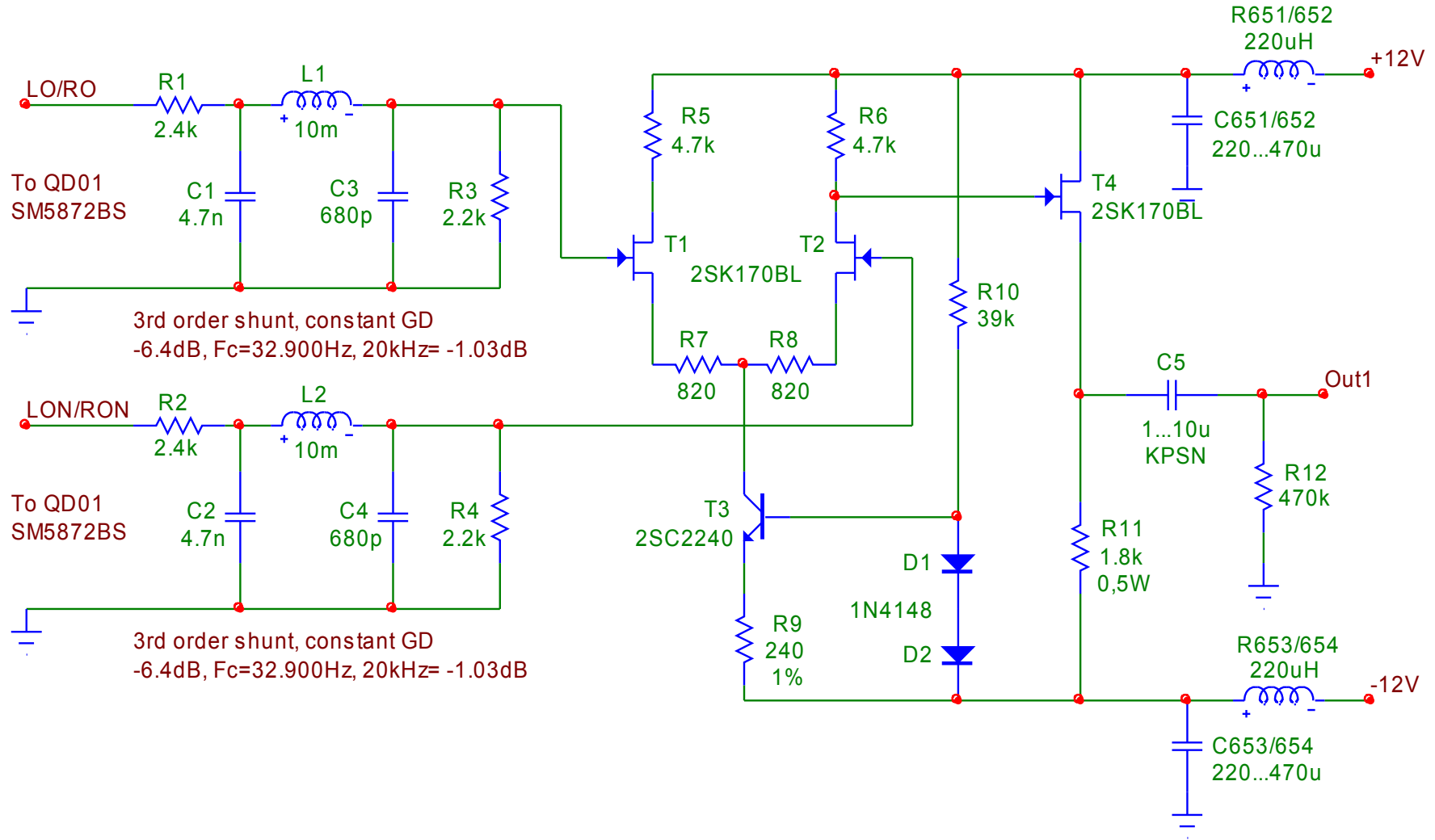


CD53/57/63/67 Discrete Output Stage, transistor version



CD53/57/63/67 Discrete Output Stage, FET version



Placement list:

1.	DH05...08	:	1N4148	CCS
2.	RH01...04	:	4k7	diff.
3.	RH05/06	:	220...300R	CCS
4.	RH09/10/15/16	:	820R	diff.
5.	RH19/20	:	wire	output
6.	RH25 > DH01 (a)	:	39k	CCS
7.	RH26 > DH02 (a)	:	39k	CCS
8.	RH25 > QH51 (e)	:	wire	CCS > 820R
9.	RH26 > QH52 (e)	:	wire	CCS > 820R
10.	R661/662	:	470k	output
11.	QH03/04	:	2SC2240	CCS
12.	QH05...08	:	BC550C	diff.
13.	QH13 (s) > RH21	:	1k8/0,5W	output
14.	QH14 (d) > QH14 (s)	:	1k8/0,5W	output
15.	QH51 (b) > QH53 (c)	:	wire	output QH05
16.	QH52 (b) > QH54 (c)	:	wire	output QH06
17.	Q605 (2) > QH09 (c)	:	wire	input
18.	Q605 (3) > DH09 (a)	:	wire	input
19.	Q606 (2) > QH10 (c)	:	wire	input
20.	Q606 (3) > DH10 (a)	:	wire	input
21.	C651...654	:	220u/16V	
22.	R651...654	:	220uH/3R3	

Passive filter:

23.	CD21...24	:	4n7/1% PS	
24.	RD21...24	:	2k4/0,1% SMD	
25.	C601...604	:	680p/1% PS	
26.	R601...604	:	2k2/0,1% SMD	
27.	RD25...28	:	10mH	

Partslist:

Part:	Value:	Device:	Supplier:	Ordernr:	Price:
C1, C2	4n7/1%	LCR PS	Farnell	952-0562	3,26
C3, C4	680p/1%	LCR PS	Farnell	952-0821	2,81
C5	2u7/100V	Audyn KPSN	BMM	KPSN/2.7/100	10,87
L1, L2	10mH	Panasonic	Farnell	809-4780	1,62
R1, R2	2k4/0,1%	MMA0204	Farnell	308-6033	1,14
R3, R4	2k2/0,1%	MMA0204	Farnell	308-6021	1,14
R5, R6	4k7	Holco H4			0,80
R7, R8	820R	Holco H4			0,80
R9	255R	0207 1% metal			0,10
R10	39k	0207			0,10
R11	1k8/0,5W	Holco H4			0,40
R12	470k	Holco H4			0,40
D1, D2	1SS254	diode	original		--
T1, T2	BC550C	NPN TO-92	Conrad	155-071	0,20
T3	BC517	NPN TO-92	Farnell	101-7671	0,17
T4	2SC2240	NPN TO-92	original		--
C651, C652	220u/16V	Rubycon Black Gate Std.			5,30
R651, R652	220uH/3.3R	Epcos	Farnell	511-651	0,62
Per kanaal:					29,73