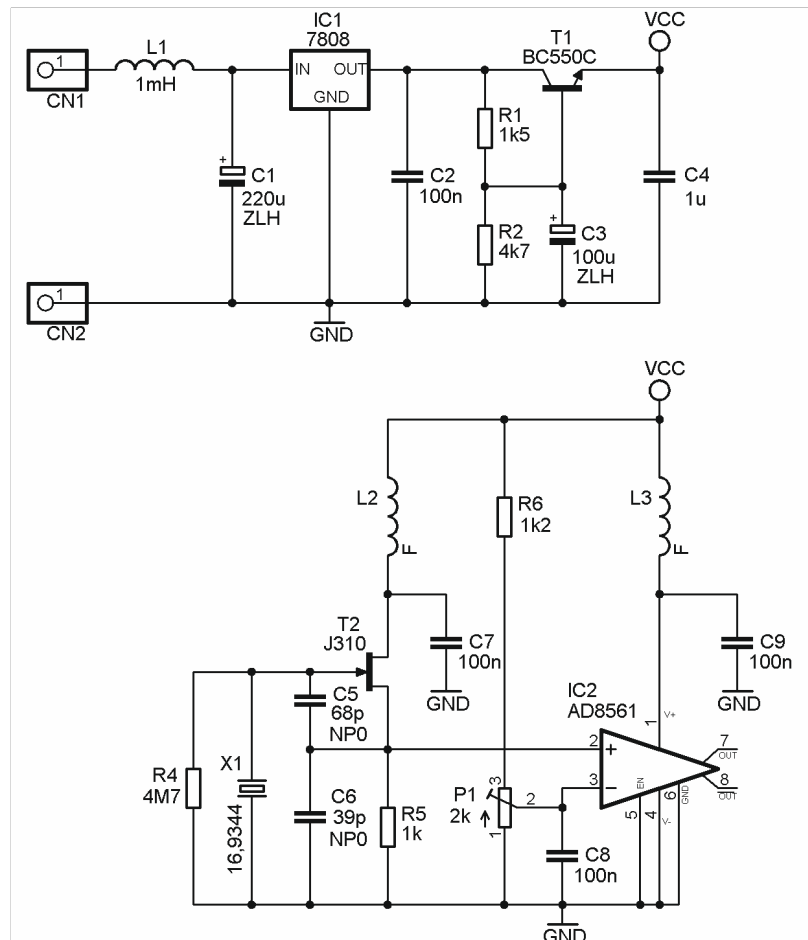


CD Clock PCB, DIY version by Ray

Schematic diagram

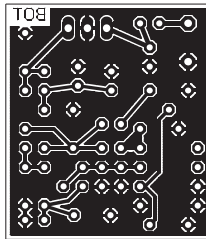


Original Power-supply design by G. Tent, modified by Ray
Original Oscillator design by E. Kwak, modified by Ray

Not for commercial use! For DIY purposes only!

CD Clock PCB, DIY version by Ray

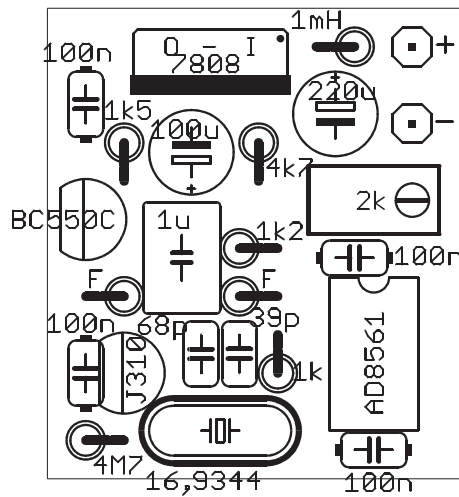
BOTTOM layer



Not for commercial use! For DIY purposes only!

CD Clock PCB, DIY version by Ray

SILKSCREEN and component placement



Not for commercial use! For DIY purposes only!

CD Clock PCB, DIY version by Ray

Partslist

Part no.	Value:	Description:	Farnell:
C1	220u/16v	Rubycon ZLH d=6mm x 2,5mm pitch	812-6305
C2,7,8,9	100n/X7R	ceramic 5mm pitch	121-6434
C3	100u/16V	Rubycon ZLH d=6mm x 2,5mm pitch	812-6283
C4	1u/40V	MKT/MKP 5mm pitch	568-211,110-0589
C5	68p NP0	ceramic 2,5mm pitch	114-1763
C6	39p NP0	ceramic 2,5mm pitch	183-5001
IC1	7808	regulator TO220	109-5386
IC2	AD8561 (MAX913)	comparator DIL8	960-3867
CN1,2	PCB pin		
L1	1mH	choke axial	608-609
L2,L3	ferrite bead		242-500
P1	2k MT	cermet trimmer 3296Y BOURNS	935-3577
R1	1k5/1%	0,6W, 0207	
R2	4k7/1%	0,6W, 0207	
R4	4M7/1%	0,6W, 0207	
R5	1k/1%	0,6W, 0207	
R6	1k2/1%	0,6W, 0207	
R7	47R/1%	0,6W, 0207, from IC2/pin 8 to SM5872 DAC XTI pin	
T1	BC550C	NPN TO92	210-1813
T2	J309(310)	FET TO92	101-7716
X1	16,9344MHz	crystal HC49S	from player

Not for commercial use! For DIY purposes only!