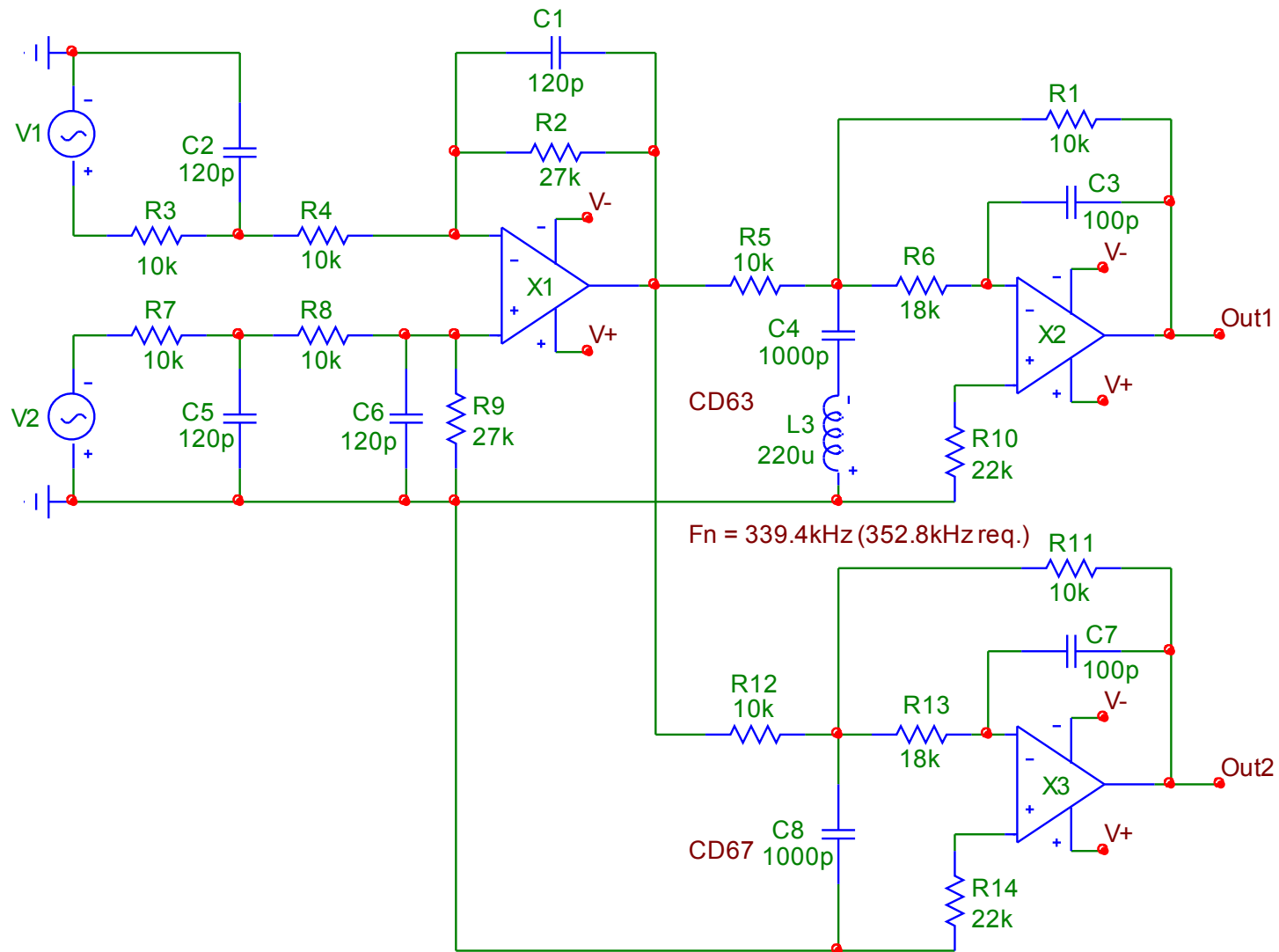
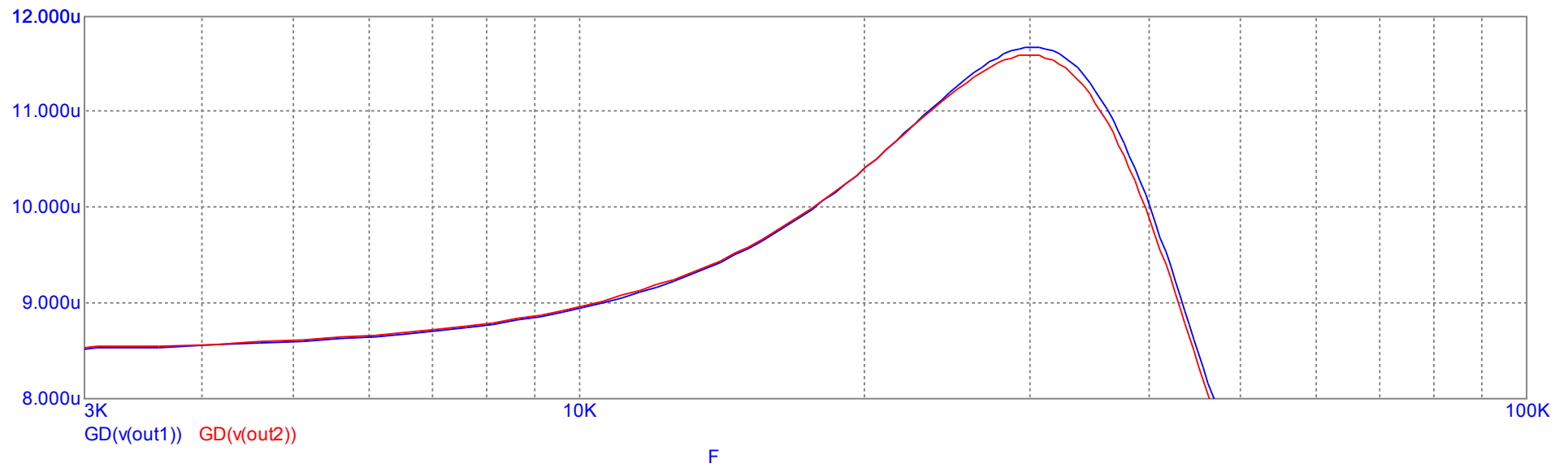
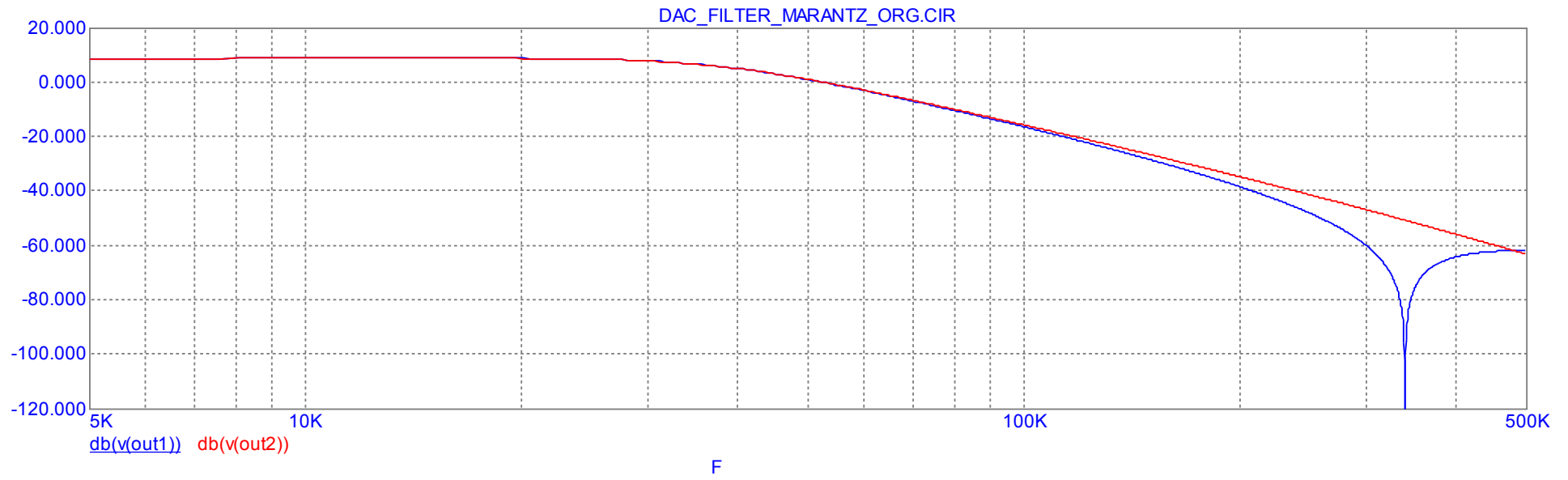


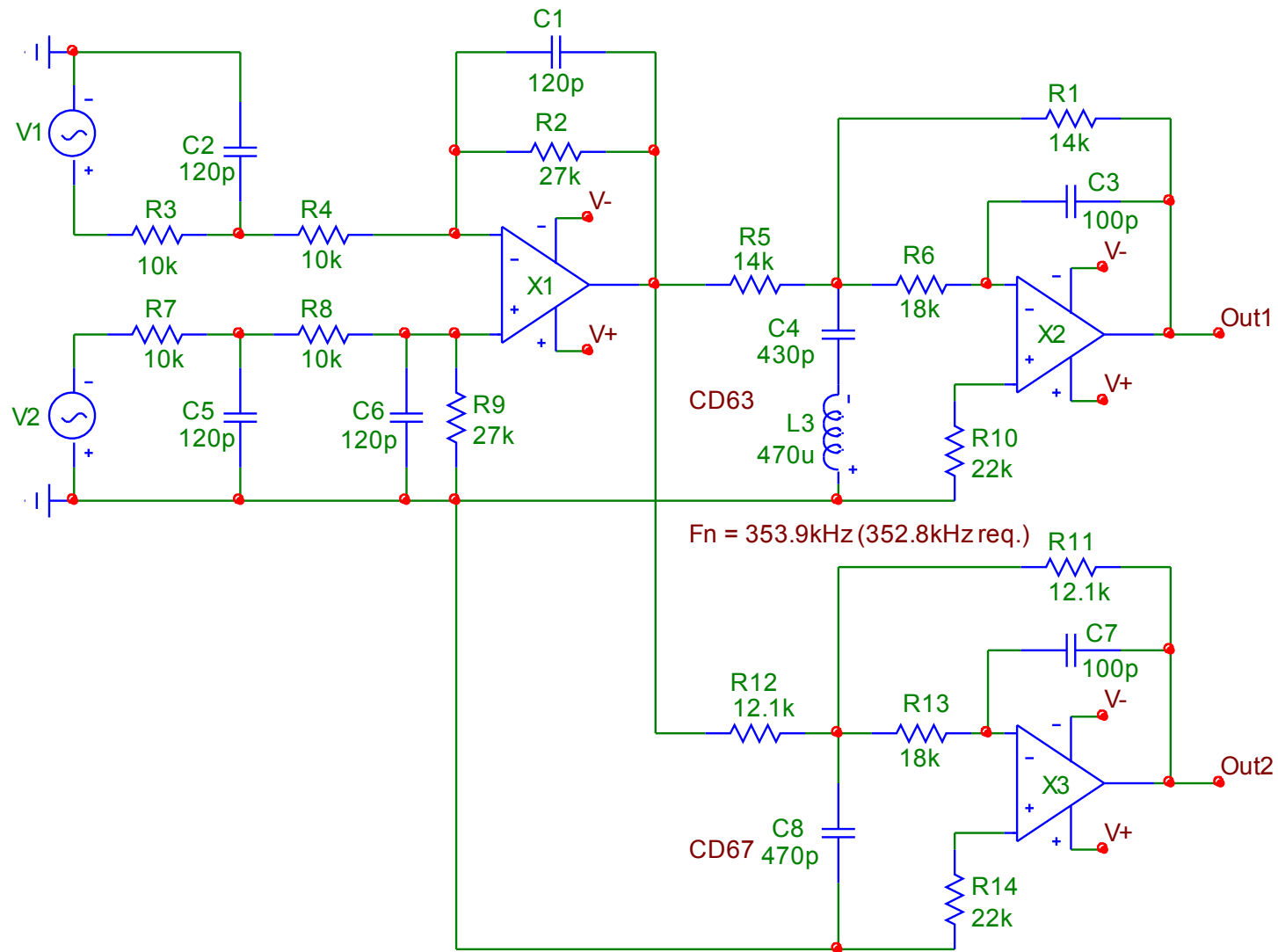
Original filters of the CD53/63 and CD57/67



Original frequency and group-delay characteristics

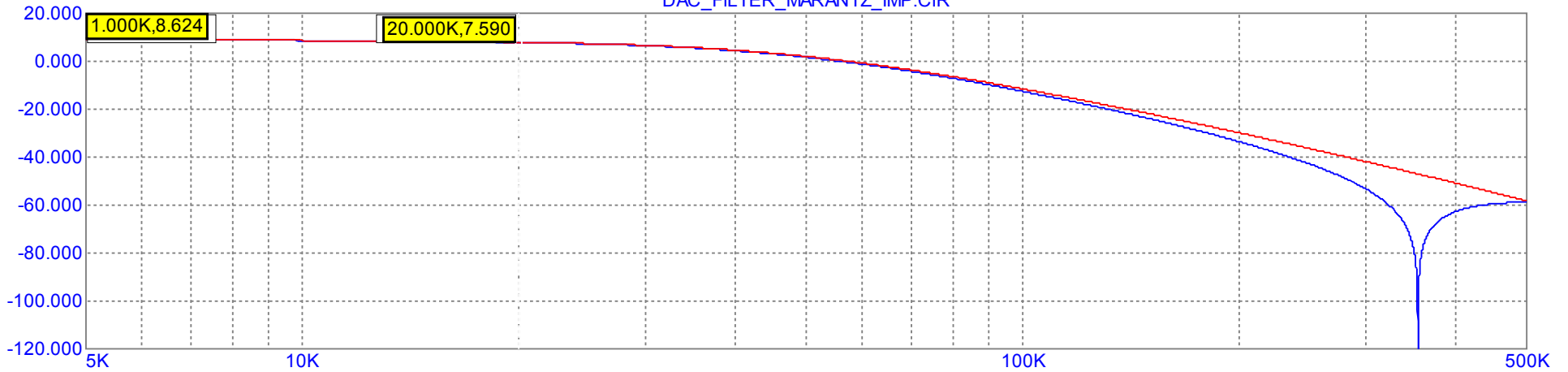


Modified filters of the CD53/63 and CD57/67

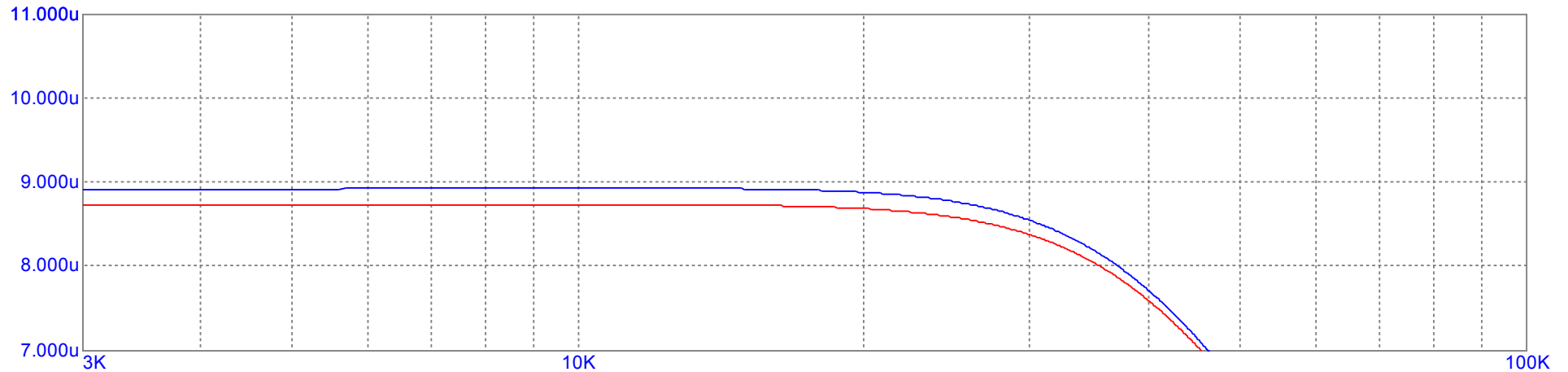


Modified frequency and group-delay characteristics

DAC_FILTER_MARANTZ_IMP.CIR



	Left	Right	Delta	Slope
$db(v(out1))$	8.624	7.590	-1.034	-5.442E-05
$db(v(out2))$	8.624	7.642	-0.983	-5.172E-05
F	1.000K	20.000K	19.000K	1.000E00



	Left	Right	Delta	Slope
$GD(v(out1))$	8.913u	0.329u	-8.584u	-1.721E-11
$GD(v(out2))$	8.723u	0.242u	-8.481u	-1.700E-11
F	1.100K	500.000K	498.900K	1.000E00